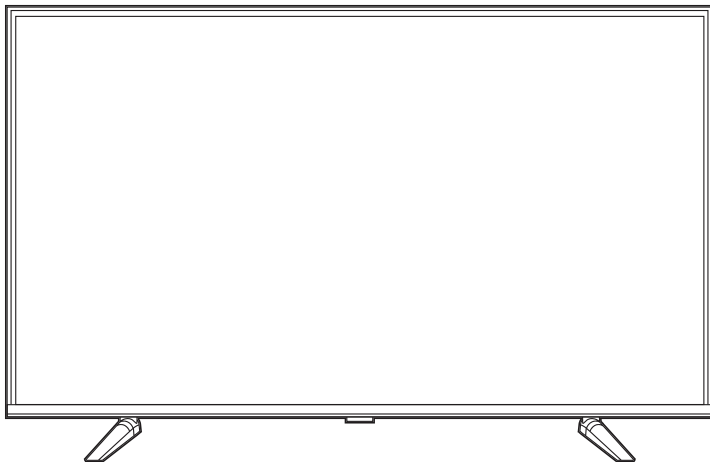


QUICK START GUIDE

onn[™]



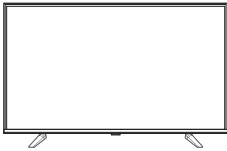
Google TV



Product features and specifications may vary by model. Illustrations and descriptions in this guide are for reference only and may not exactly match your specific TV.

Overview

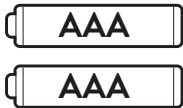
What's included:



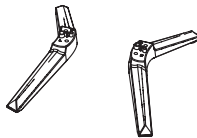
onn |  Google TV



TV Remote



2 x AAA Batteries
for Remote

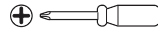


TV Stand



Screws

Tools required:



Phillips
Head
Screwdriver



Wireless
Router
(needed for
streaming)

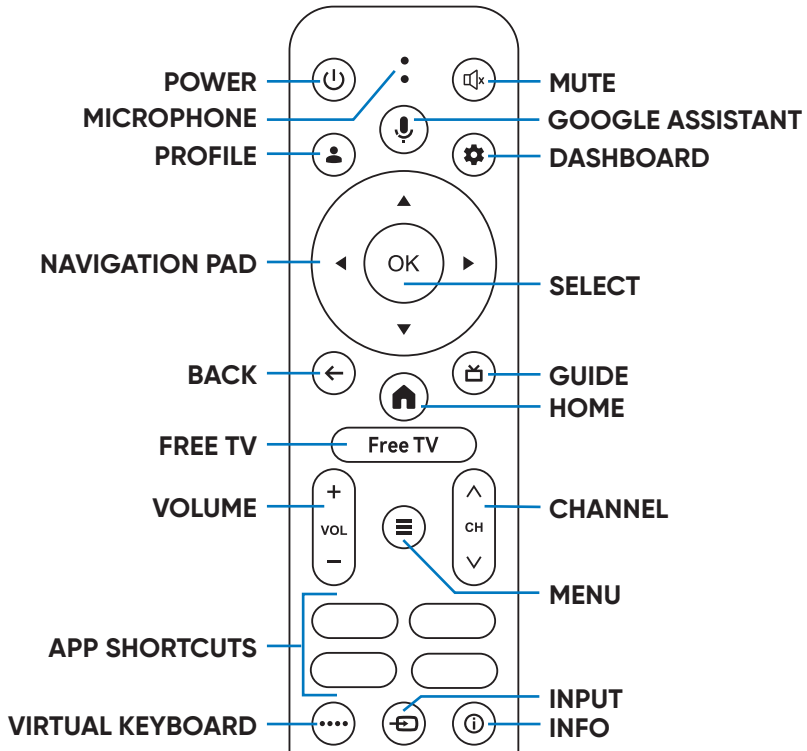


Computer,
Tablet, or
Smartphone
(needed for setup)



Internet
Connection
(needed for
streaming)

REMOTE CONTROL



Power your TV remote by inserting the included batteries carefully matching (+) and (-) indicated inside the battery compartment.

For product assistance & missing or replacement parts:

WE CAN HELP

1-844-334-2355

7 DAYS/WEEK 9:00am - 9:00pm EST

ONLINE CHAT:

onntvsupport.com

EMAIL:

customerservice@onntvsupport.com



SCAN HERE

Register your product to activate
your two-year warranty.*

*1-year manufacturer's limited warranty with purchase, or 2-year limited warranty with product registration within 90 days of purchase. See warranty card for details.

Find more at **Walmart.com**

We recommend keeping your TV box for the duration of your warranty. See your product warranty for details.

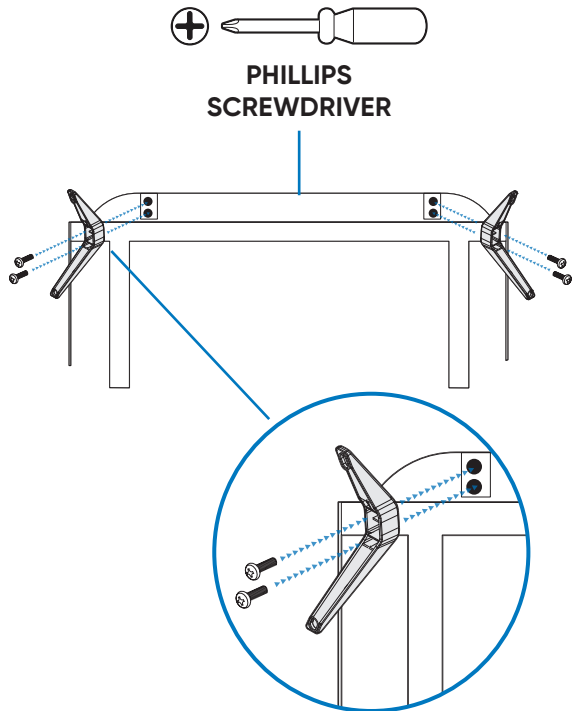
Assembly

1. INSTALLING THE STANDS

Using a **Phillips screwdriver**

Do not install the stands if you want to wall mount your TV. See your wall mount instructions for mount installation details.

1. Place the TV screen-down on a clean, flat, soft surface (e.g.: blanket) to prevent scratches or damage to the screen.
2. Use a Phillips screwdriver to attach each stand with the provided screws. Make sure the stand screws are fully tightened and the stands do not shift or move.
3. Place the TV upright on a stable, level surface.

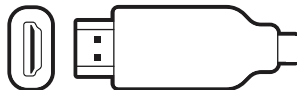


2. CONNECTING DEVICES

HDMI

connect a Blu-ray, DVD player, gaming console or other devices

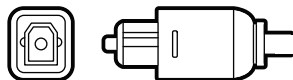
Best Quality



DIGITAL OPTICAL

connect an external digital audio system

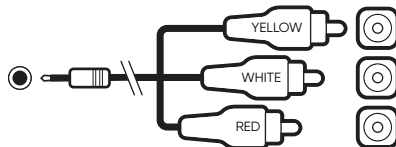
Better Quality



MINI AV

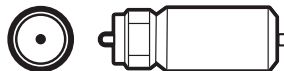
connect an external AV device

Good Quality



COAXIAL

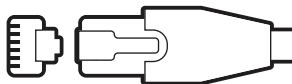
connect to antenna/cable



2. CONNECTING DEVICES (continued)

LAN

wired connection to
the internet (4K models only)



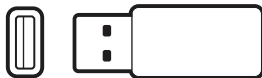
AUDIO OUT

for external devices



USB

connect for photos, music,
movies and more



CONNECTING TO POWER

After connecting all your devices, connect the power cord to a power outlet. The TV enters standby mode and its indicator light turns red.

Setup

ACTIVATION:

To activate your TV, you'll need a smartphone, computer or tablet. When setup is complete, you'll be directed to the home screen.

Set up Google TV™ to access 700,000+ movies, shows, and more across 10,000+ apps, plus 800+ free live TV channels, and Google Assistant. For this selection, a Google Account is required for activation. You can log into an existing Google Account, or create a new one by following the prompts.

Set up Basic TV if you prefer to use your TV without an internet connection or without a Google Account. Some features aren't available in basic TV. You can always set up Google TV later within the TV settings.

A paid subscription or other payment may be required for some streaming channels. Channel availability subject to change and varies by country.

Visit support.google.com/googletv for Google TV support.

Google TV is the name of this device's software experience and a trademark of Google LLC. Google is a trademark of Google LLC.